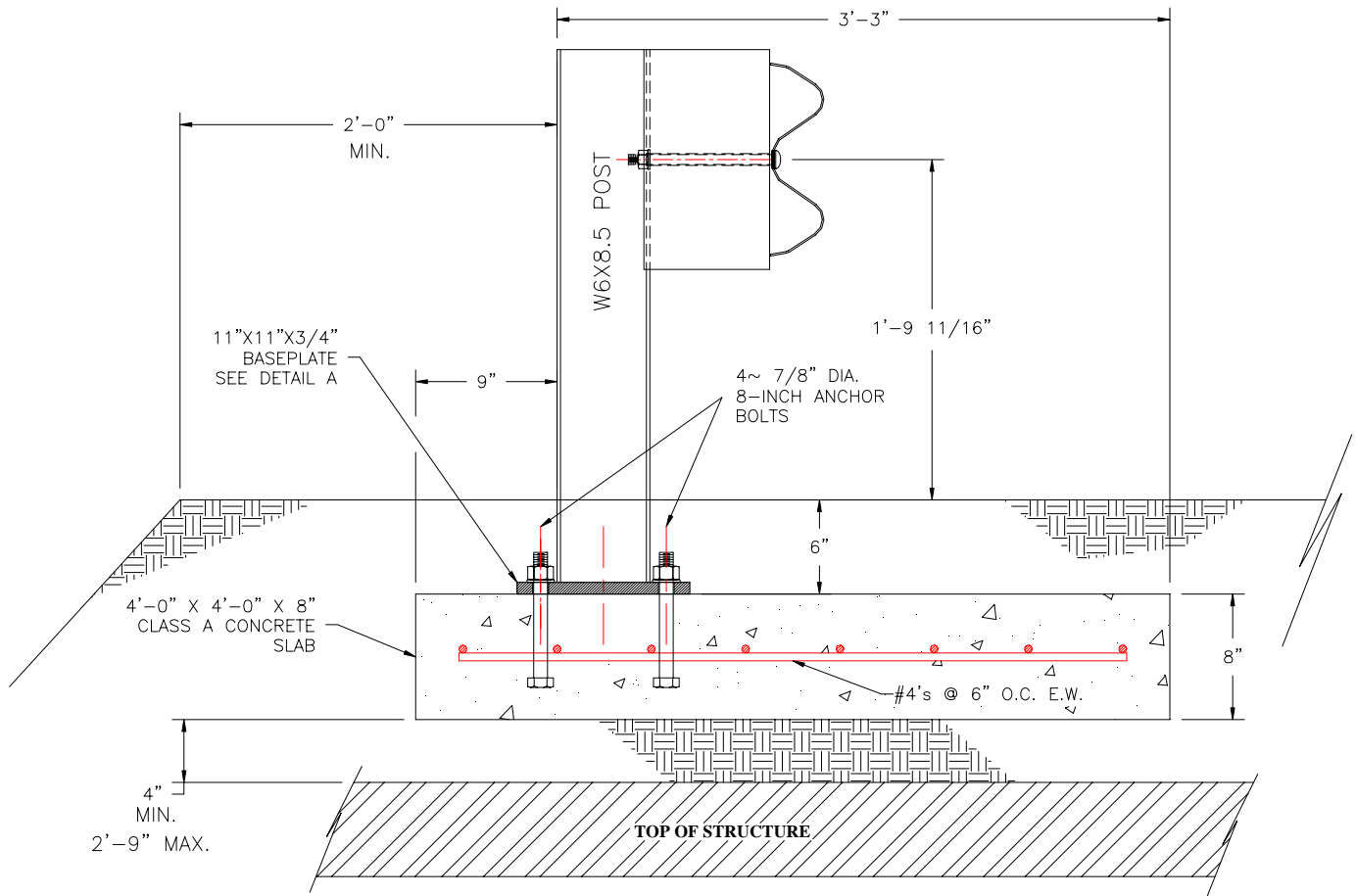
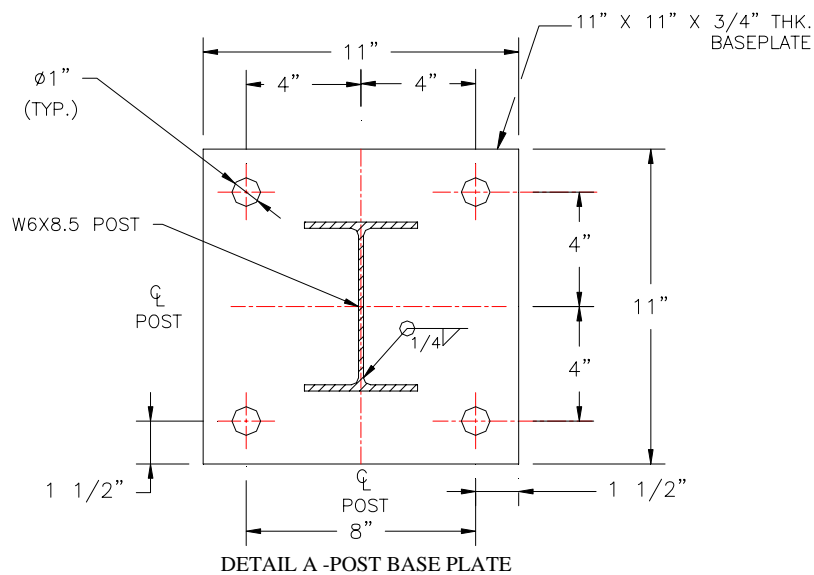


Subject: PennDOT Details for Steel Posts Over Underground Structures



STEEL POSTS OVER UNDERGROUND STRUCTURES



DETAIL A -POST BASE PLATE