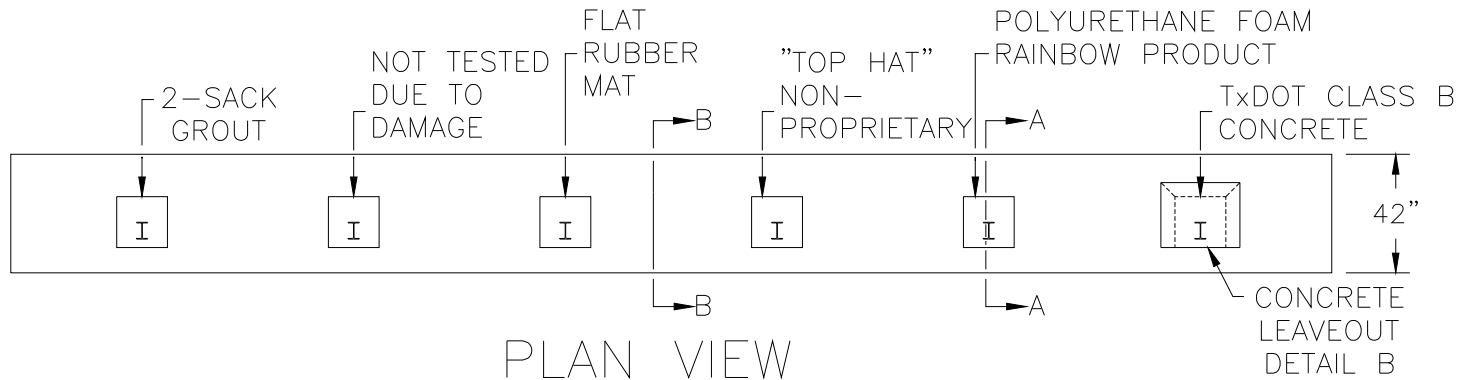
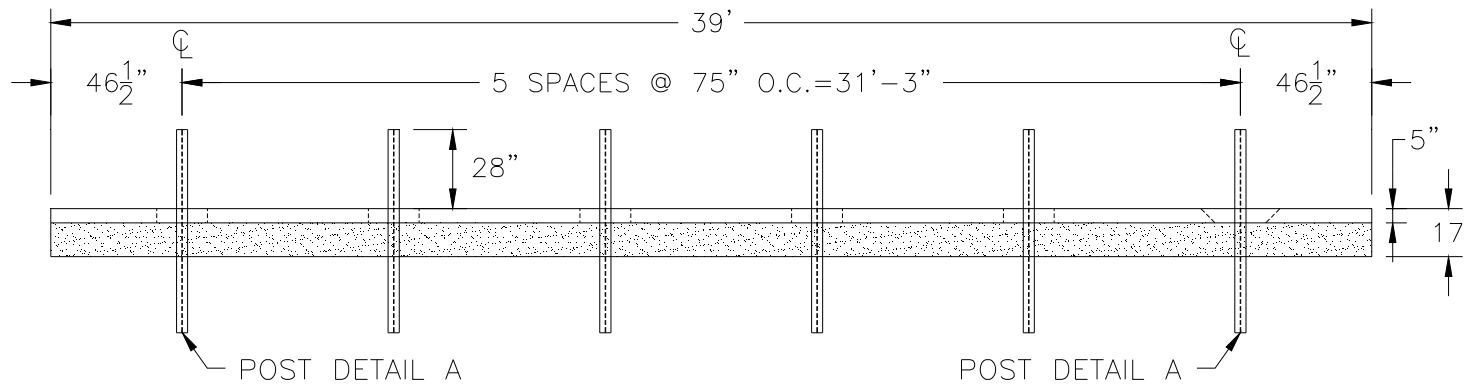


A-1



PLAN VIEW



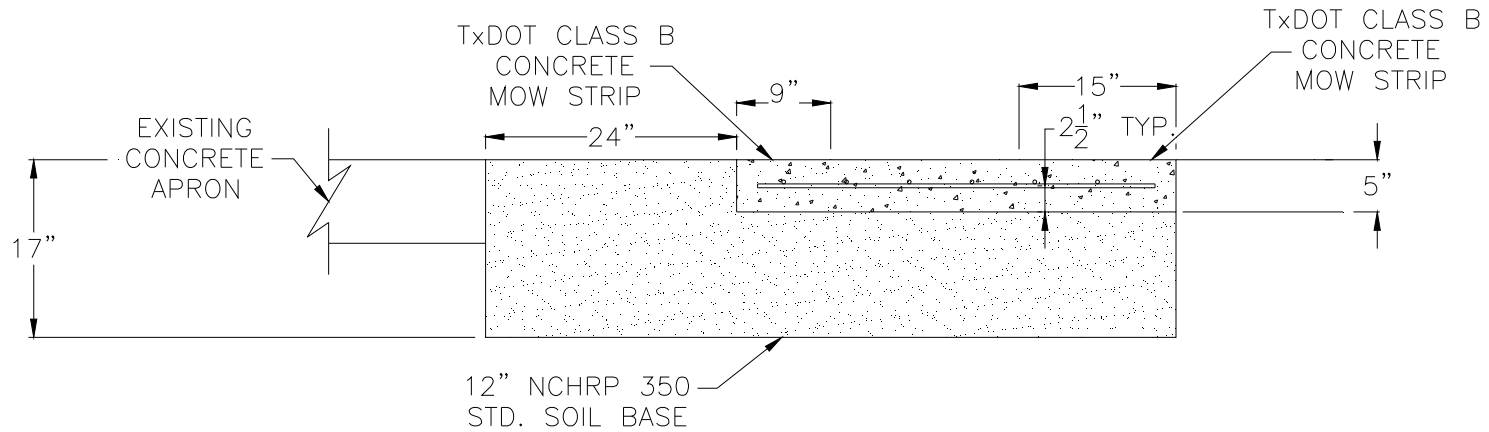
ELEVATION VIEW

NOTE: -POSTS ARE INSTALLED BY AUGERING 12"Ø HOLE AND HAND TAMPING NCHRP 350 STD. SOIL TO RIGHT DEPTH.

REVISIONS				The Texas A&M University System			
NO.	DATE	BY	CHK.	TEXAS TRANSPORTATION INSTITUTE COLLEGE STATION, TEXAS 77843			
1.	2008/06/24	NDE	DA	Project No.	Date	Drawn By	Scale
2.				405160-14	2008/06/17	NDE	
3.				MOW STRIP			Sheet No.
4.							1 of 5
5.				APPROVED: DUSTY ARRINGTON:			2008/06/17

Nov 13, 2008 - 2:20pm

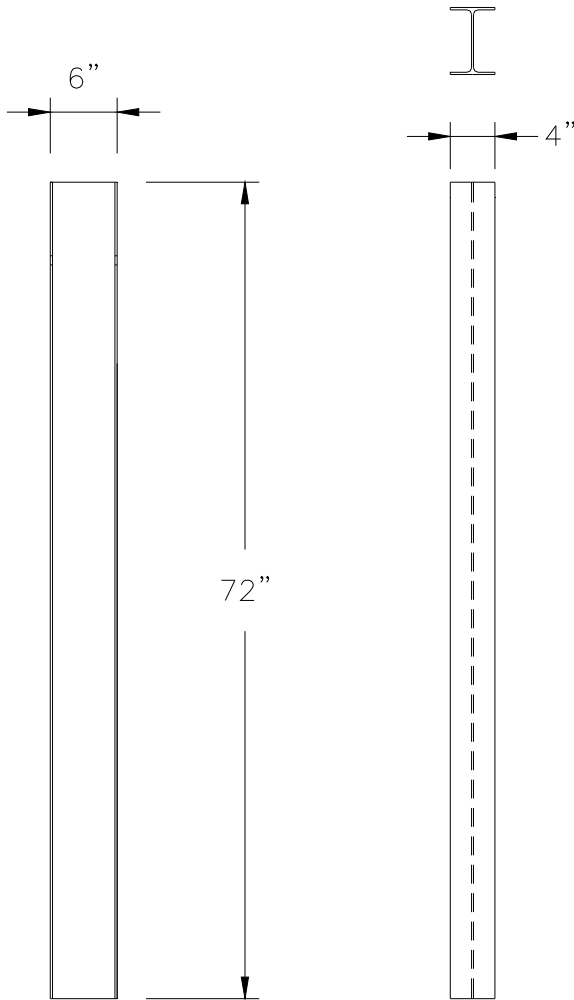
T:\2007-2008\405160-14_MowStrip\DRAWINGS\405160-14_MOW_STRIP.cwg



NOTE: -CONCRETE REINFORCED WITH
6"X6"-W3XW3 WELDED WIRE FABRIC

SECTION B-B

The Texas A&M University System							
REVISIONS				TEXAS TRANSPORTATION INSTITUTE COLLEGE STATION, TEXAS 77843			
NO.	DATE	BY	CHK.	Project No.	Date	Drawn By	Scale
1.	2008/06/24	NDE	DA	405160-14	2008/06/17	NDE	
2.				MOW STRIP			Sheet No. 3 of 5
3.							
4.							
5.							

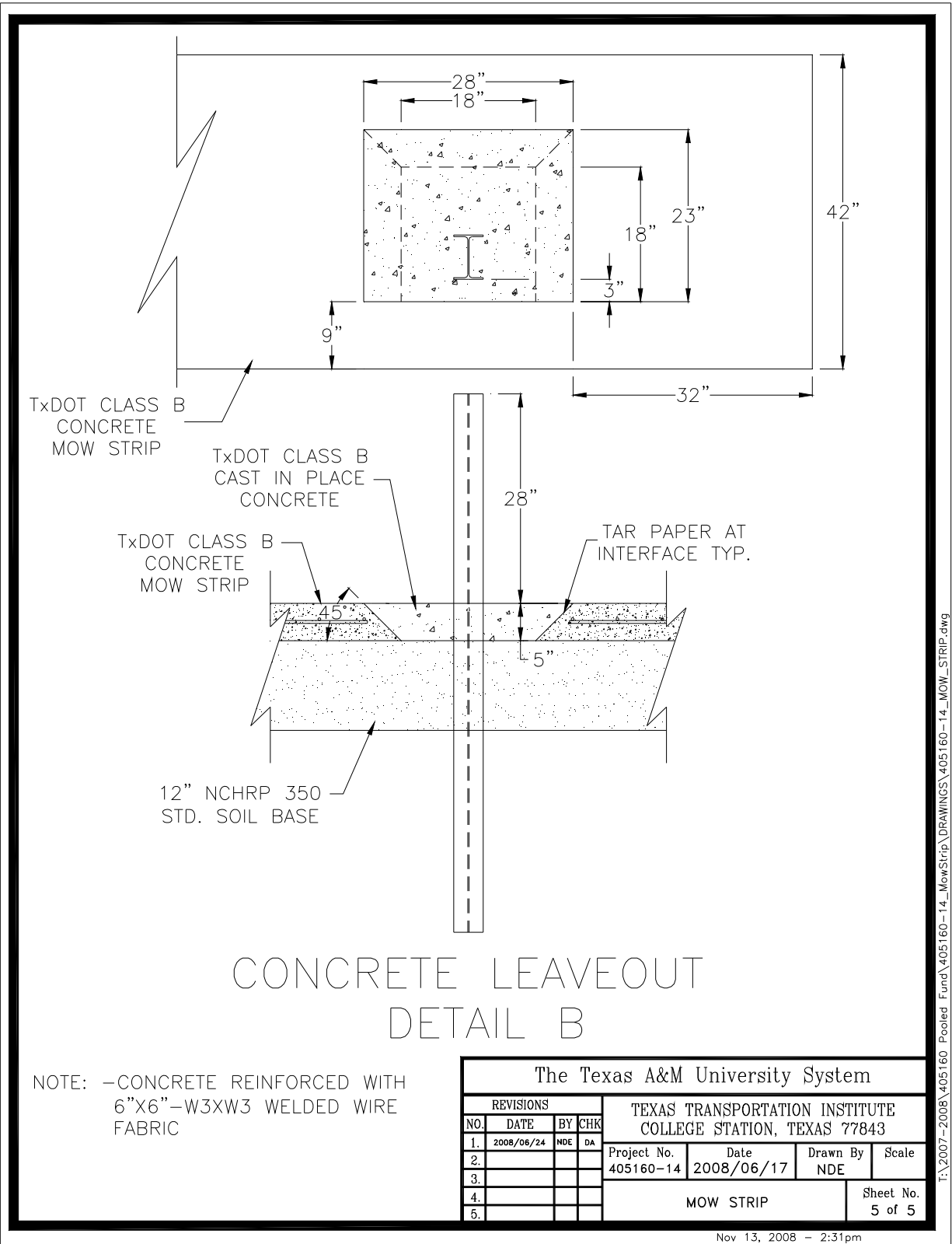


POST DETAIL A
W-6X8.5

The Texas A&M University System			
REVISIONS		TEXAS TRANSPORTATION INSTITUTE COLLEGE STATION, TEXAS 77843	
NO.	DATE	BY	CHK
1.			
2.			
3.			
4.			
5.			
Project No.		Date	Drawn By
405160-14		2008/06/17	NDE
MOW STRIP			Sheet No.
			4 of 5

T:\2007-2008\405160 Pooled Fund\405160-14_MowStrip\DRAWINGS\405160-14_MOW_STRIP.dwg

Nov 13, 2008 - 2:29pm



CONCRETE LEAVEOUT DETAIL B

NOTE: -CONCRETE REINFORCED WITH
6"X6"-W3XW3 WELDED WIRE
FABRIC

The Texas A&M University System							
REVISIONS				TEXAS TRANSPORTATION INSTITUTE COLLEGE STATION, TEXAS 77843			
NO.	DATE	BY	CHK	Project No.	Date	Drawn By	Scale
1.	2008/06/24	NDE	DA	405160-14	2008/06/17	NDE	
2.							
3.							
4.							
5.							
MOW STRIP						Sheet No. 5 of 5	

Nov 13, 2008 - 2:31pm

T:\2007-2008\405160 Pooled Fund\405160-14_MowStrip\DRAWINGS\405160-14_MOW_STRIP.dwg