
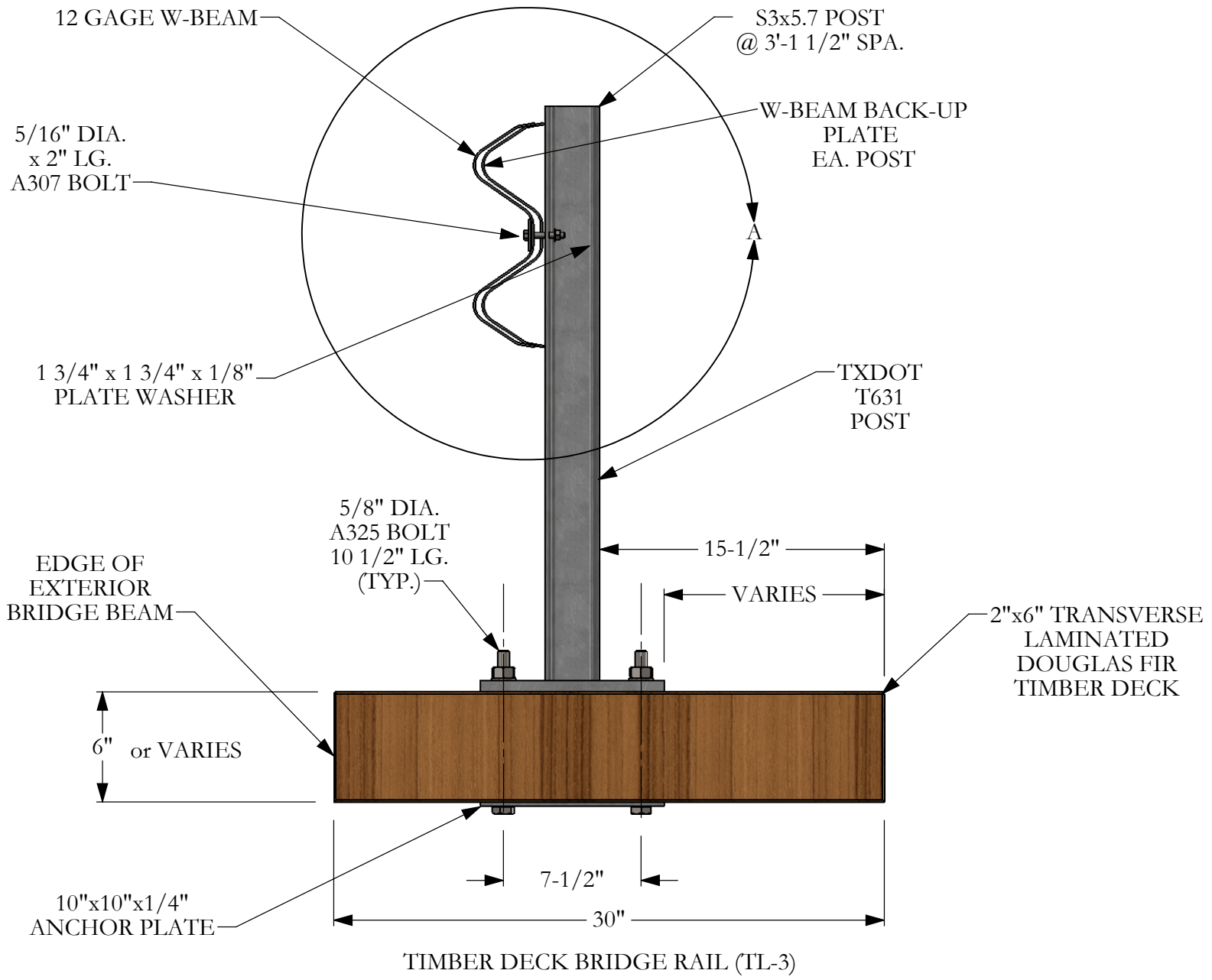


TIMBER DECK BRIDGE RAIL (TL-3) TRAFFIC SIDE VIEW

NOTES:

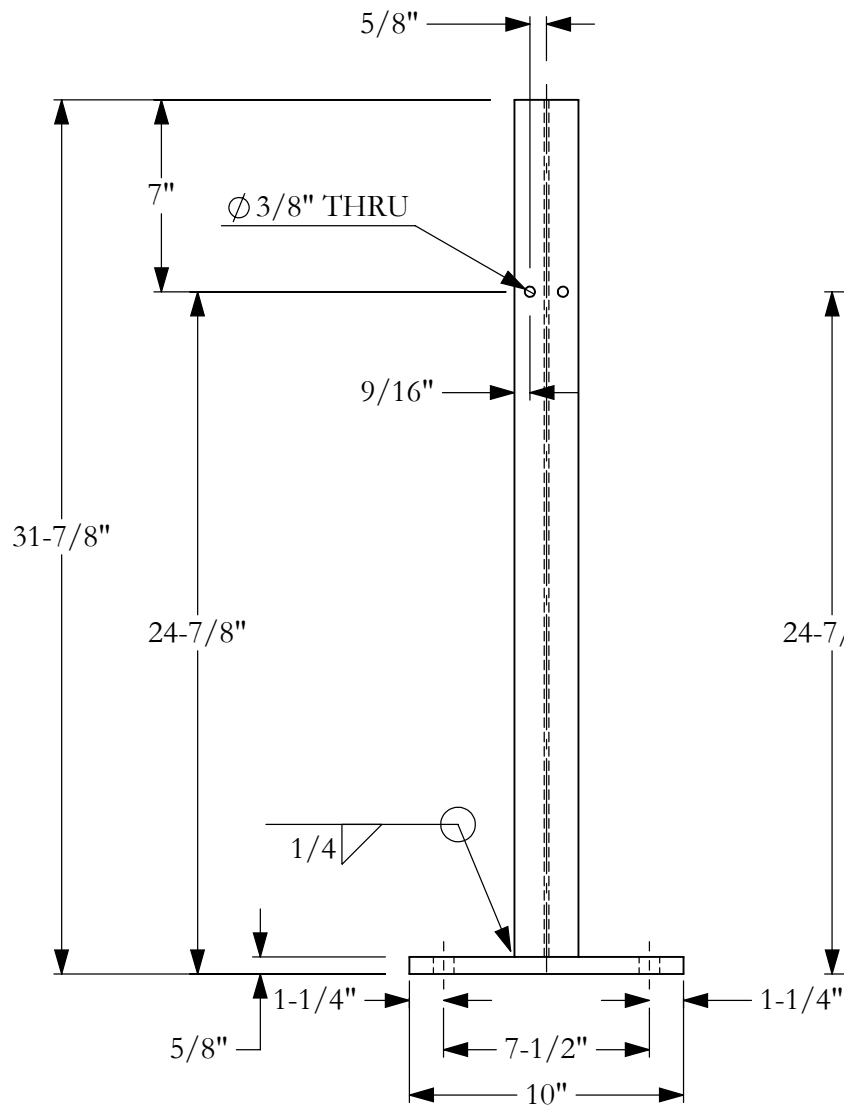
- 1.) ALL STRUCTURAL SHAPES AND PLATE SHALL BE A992 GRADE 50 MATERIAL.
- 2.) ALL 5/8" DIA. ANCHOR BOLTS SHALL BE A325 (120 KSI).
- 3.) ALL 5/16" DIA. GUARDRAIL BOLTS SHALL BE A307 (60 KSI).

		Roadside Safety and Physical Security Division - Proving Ground	
Project	405160-40	TIMBER DECK RAIL TL-3	
Drawn By	WFW	Scale	1:20
		Sheet	1 of 7
<b>PRELIMINARY DRAWING - NOT FOR CONSTRUCTION</b>			
2013-03-01			

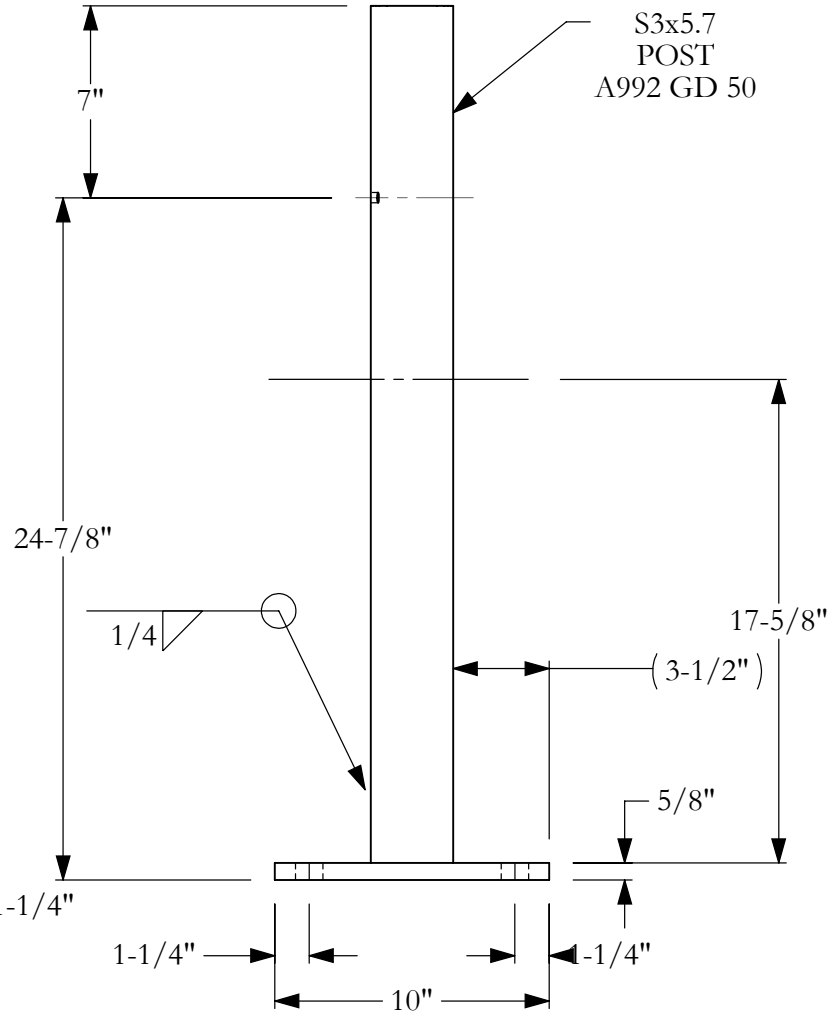


Roadside Safety and  
Physical Security Division -  
Proving Ground

Project 405160-40	TIMBER DECK RAIL TL-3	2013-03-01
Drawn By WFW	Scale 1:8	Sheet 2 of 7 Sheet2



POST FRONT VIEW



POST SIDE VIEW

USE T631 POST  
BASEPLATE DETAILS



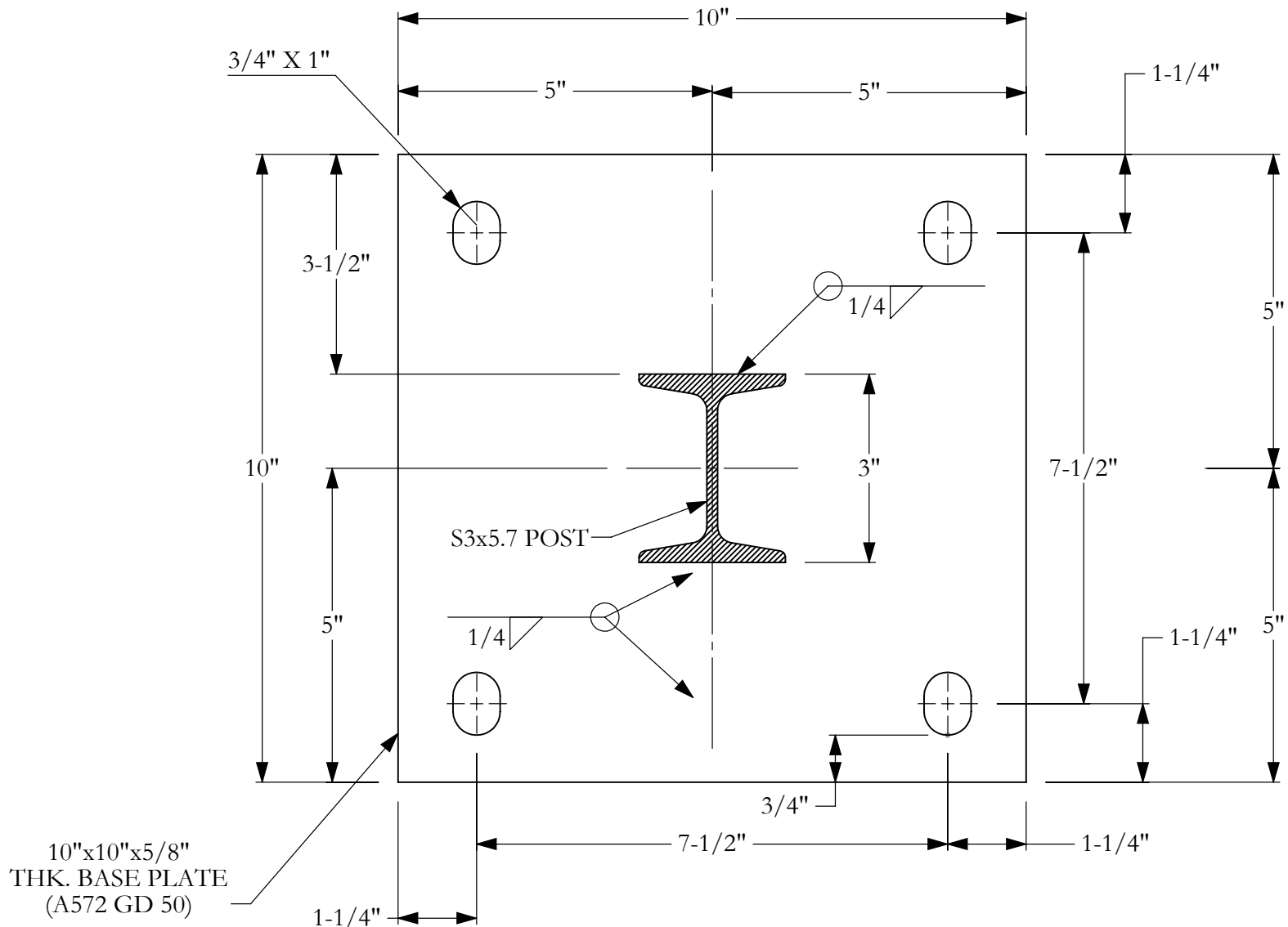
Roadside Safety and  
Physical Security Division -  
Proving Ground

Project 405160-40 TIMBER DECK RAIL TL-3

Drawn By WFW Scale 1:7 Sheet 3 of 7 Sheet3

**PRELIMINARY DRAWING - NOT FOR CONSTRUCTION**

2013-03-01




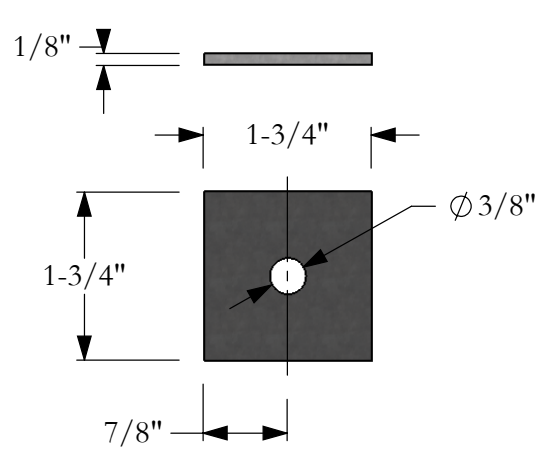
10"x10"x5/8"  
THK. BASE PLATE  
(A572 GD 50)

S3x5.7 POST

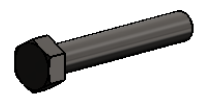
POST BASE PLATE DETAILS

USE T631 BASE  
PLATE  
DETAILS

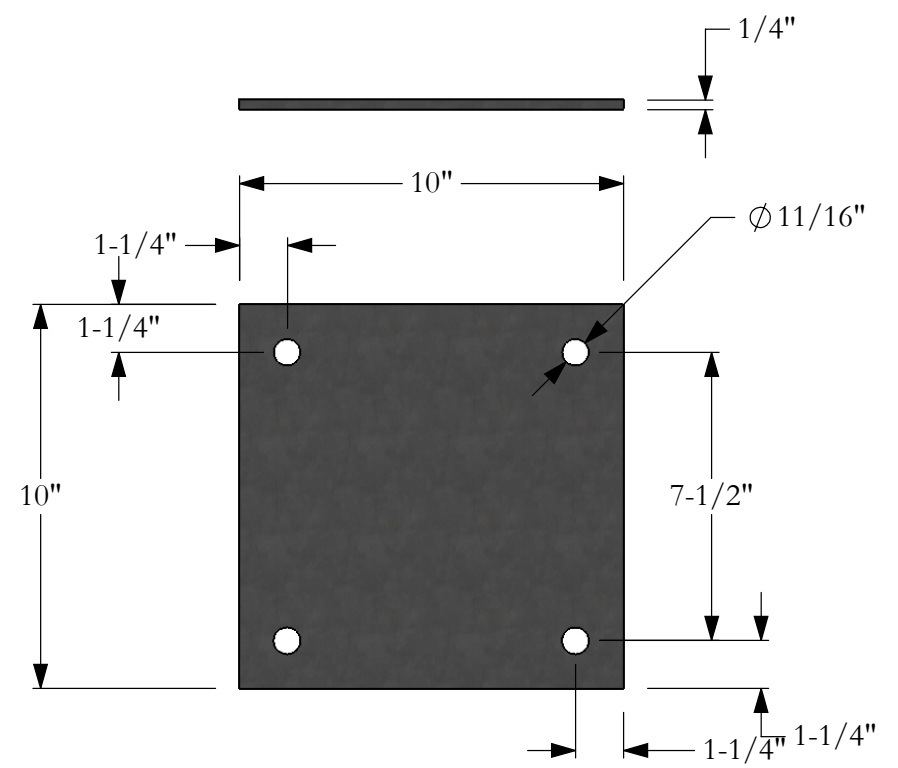
		Roadside Safety and Physical Security Division - Proving Ground	
Project	405160-40	TIMBER DECK RAIL TL-3	
Drawn By	WFW	Scale	1:2.5
		Sheet	4 of 7
<b>PRELIMINARY DRAWING - NOT FOR CONSTRUCTION</b>			
2013-03-01			




GUARDRAIL  
PLATE WASHER DETAILS

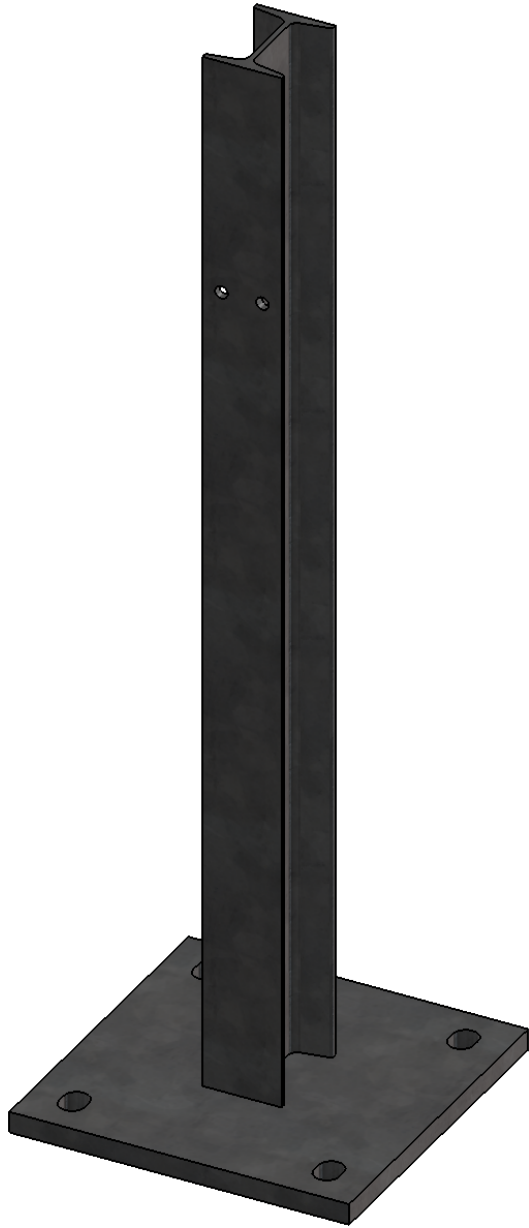


5/16" DIA. x 2"  
A307 GUARDRAIL BOLT



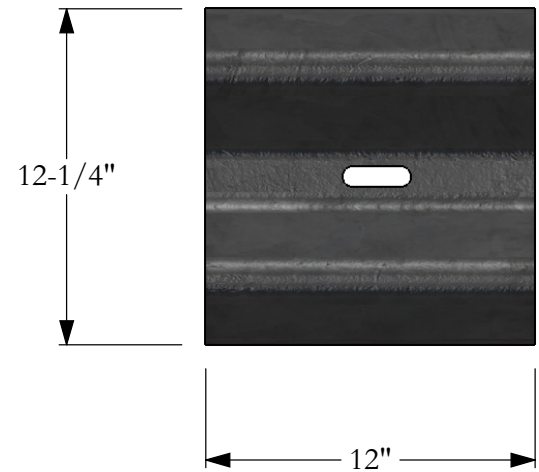
ANCHOR PLATE DETAILS A36

		Roadside Safety and Physical Security Division - Proving Ground	
Project	405160-40	TIMBER DECK RAIL TL-3	
Drawn By	WFW	Scale	VAR. Sheet 5 of 7 Sheet5
<b>PRELIMINARY DRAWING - NOT FOR CONSTRUCTION</b>			
2013-03-01			



S3x5.7 POST ISO VIEW

WELDED POST STIFFENER



12 GAGE W-BEAM BACKUP PLATE



Roadside Safety and  
Physical Security Division -  
Proving Ground

Project 405160-40

TIMBER DECK RAIL TL-3

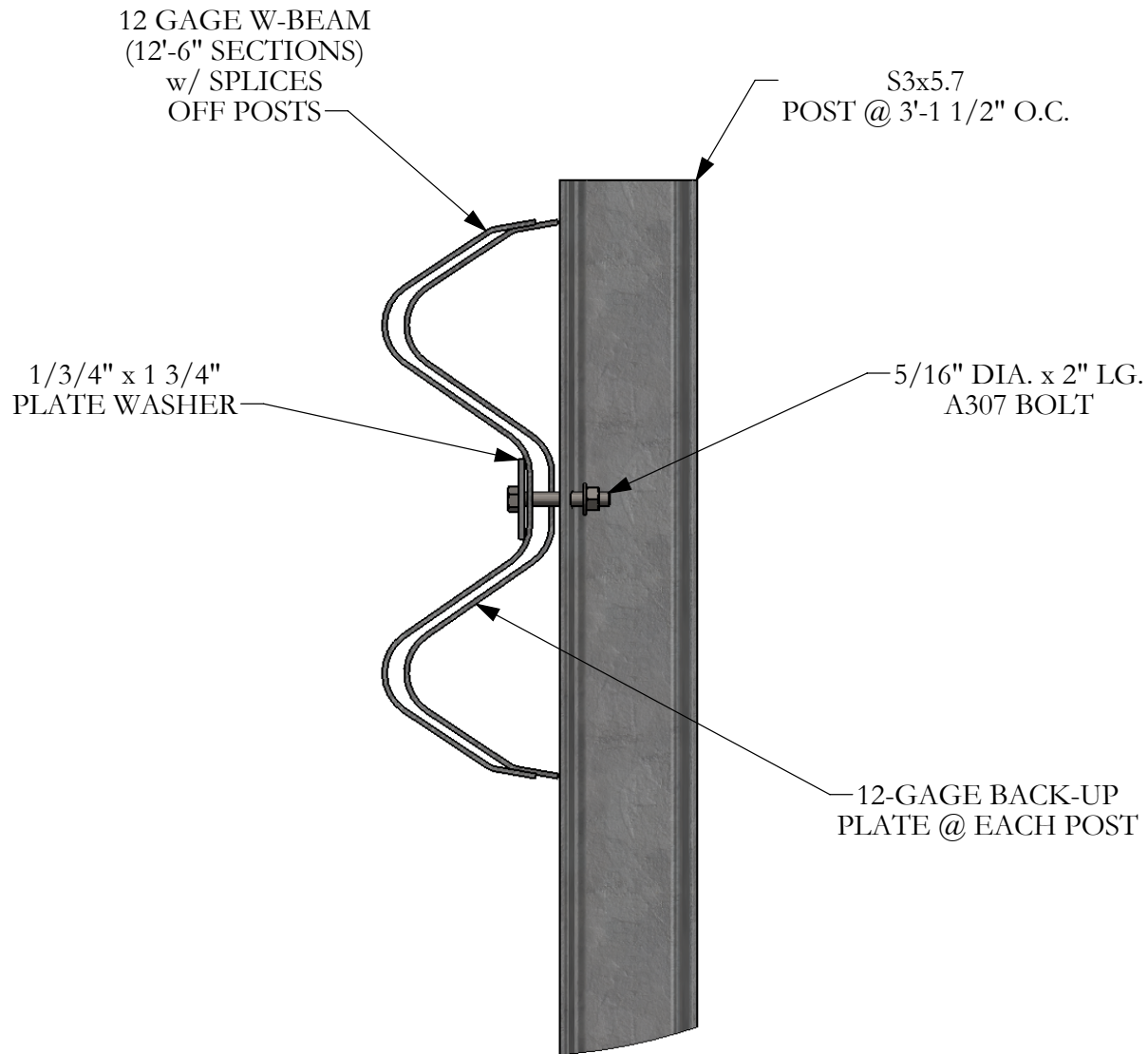
2013-03-01

Drawn By WFW

ScaleVAR.

Sheet 6 of 7

Sheet6



DETAIL A  
SCALE 1 : 4



Roadside Safety and  
Physical Security Division -  
Proving Ground

Project 405160-40

TIMBER DECK RAIL TL-3

2013-03-01

Drawn By WFW

Scale 1:4

Sheet 7 of 7

Sheet7