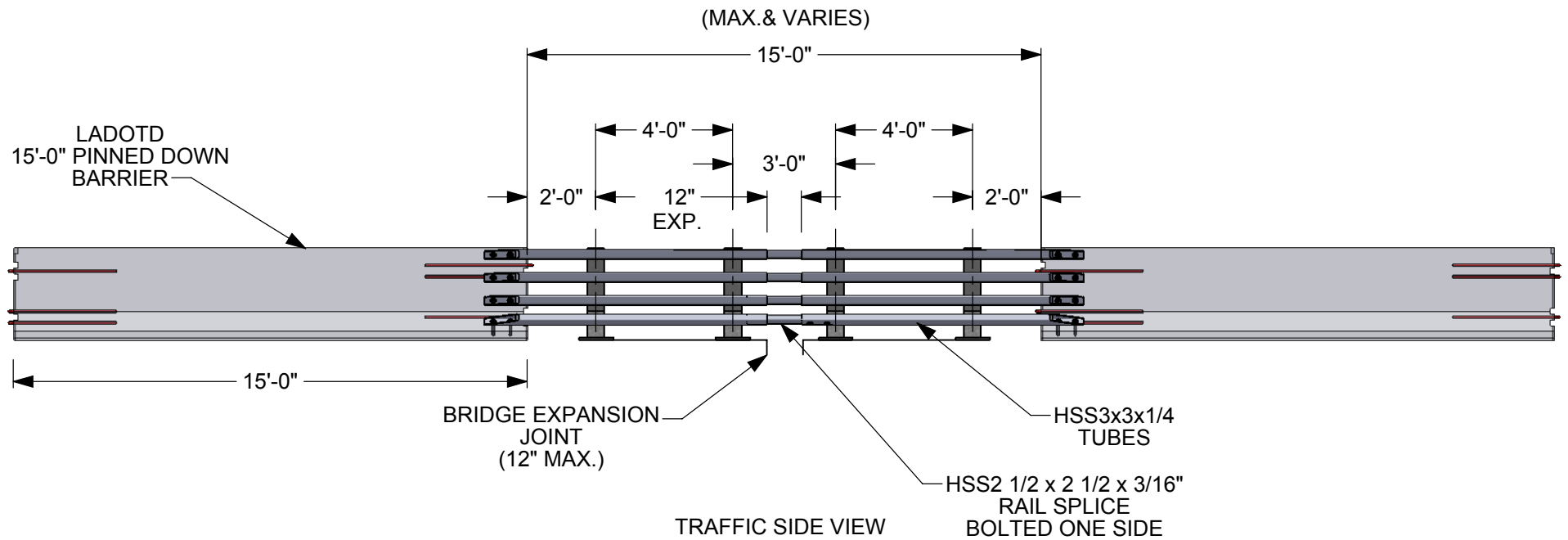


PLAN VIEW



Roadside Safety and
Physical Security Division -
Proving Ground

Project LA-45 POOLED FUND PROJ.

Drawn By WFW Scale 1:100 Sheet 1 of 5

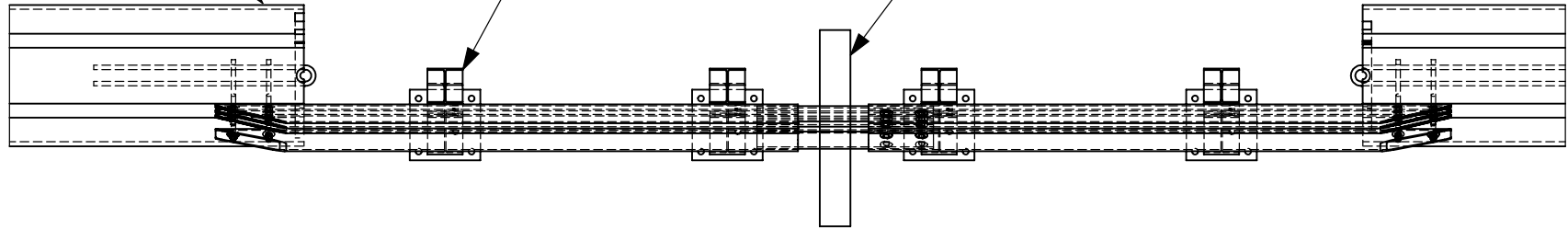
PRELIMINARY DRAWING - NOT FOR CONSTRUCTION

2013-09-18

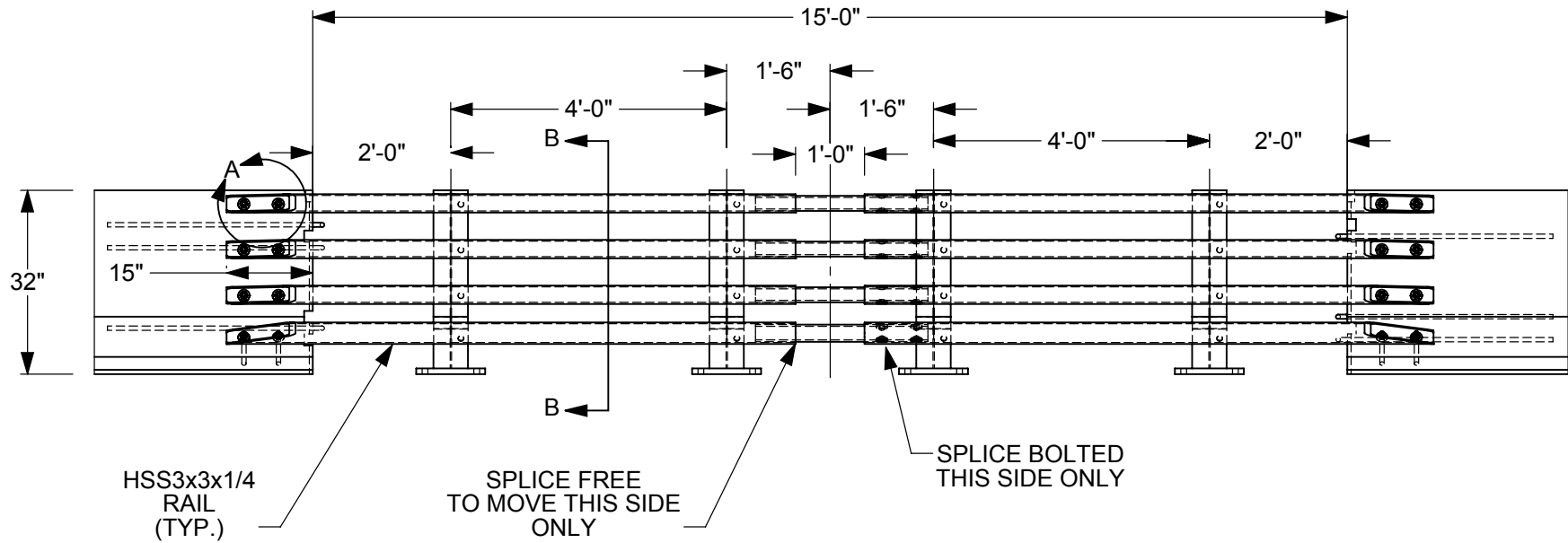
LADOTD
15'-0" PINNED DOWN
CMB
(TYP.)

WELDED W6x15
POST WITH FRONT
PROFILE
OF CMB SHAPE (F SHAPE)

BRIDGE
EXPANSION JOINT



PLAN VIEW

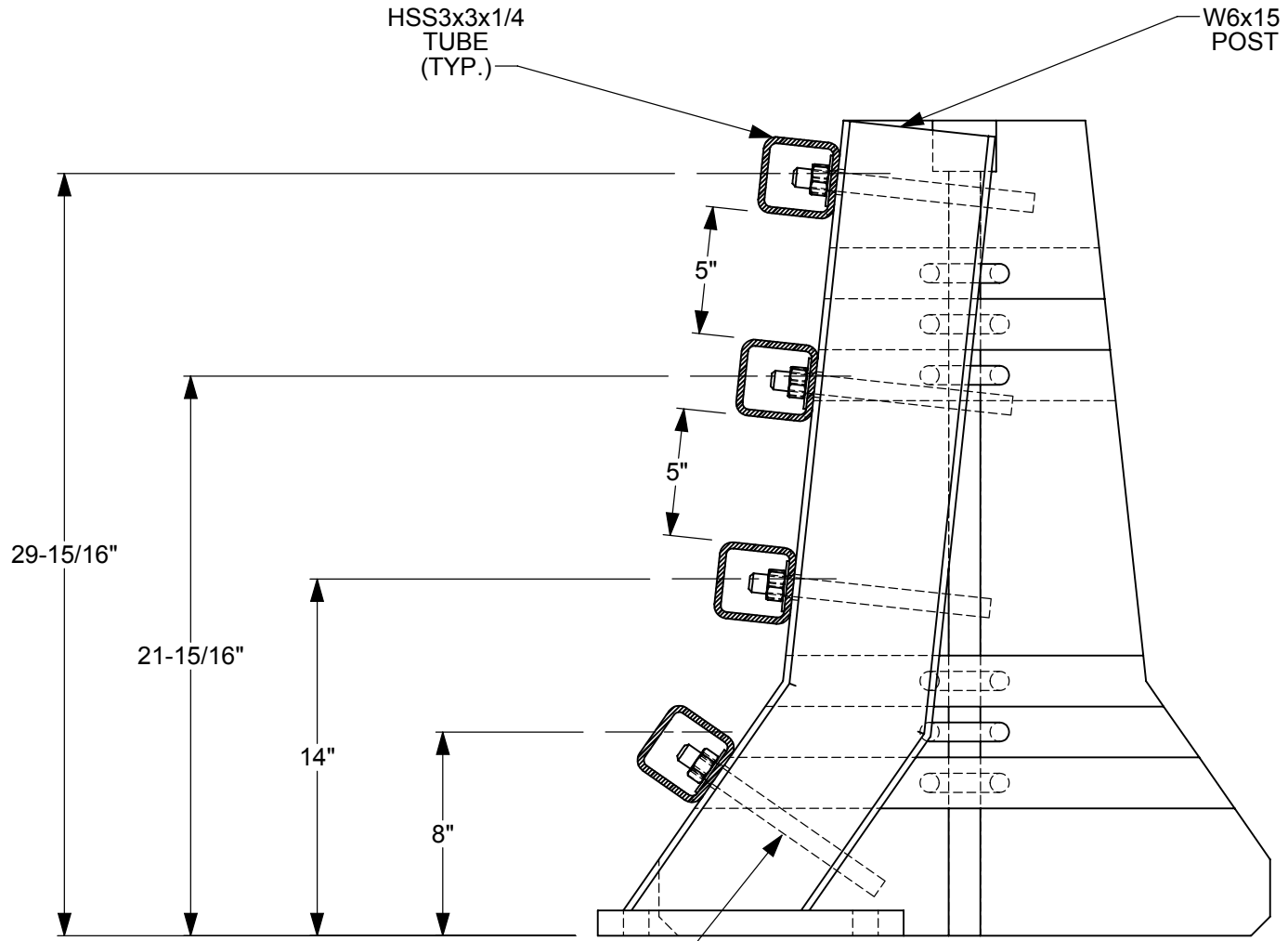


FRONT VIEW



Roadside Safety and
Physical Security Division -
Proving Ground

Project LA-45	POOLED FUND PROJ.	2013-09-18
Drawn By WFW	Scale 1:100	Sheet 2 of 5 Sheet 2



Section B-B
Scale 1 : 7



Roadside Safety and
Physical Security Division -
Proving Ground

Project LA-45

POOLED FUND PROJ.

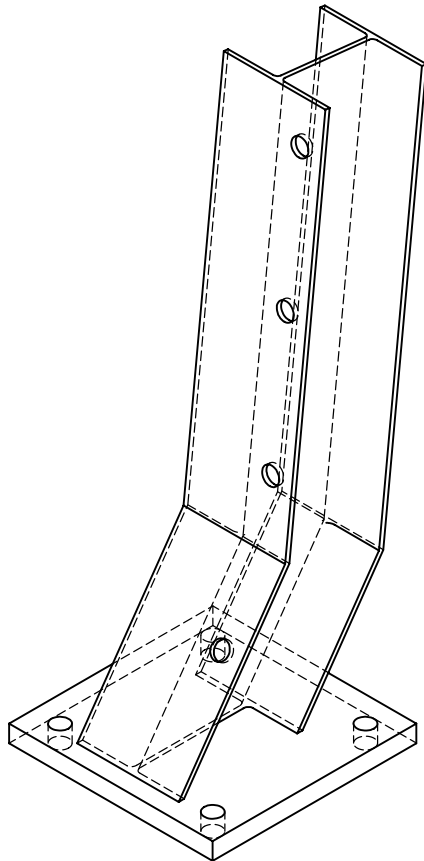
2013-09-18

Drawn By WFW

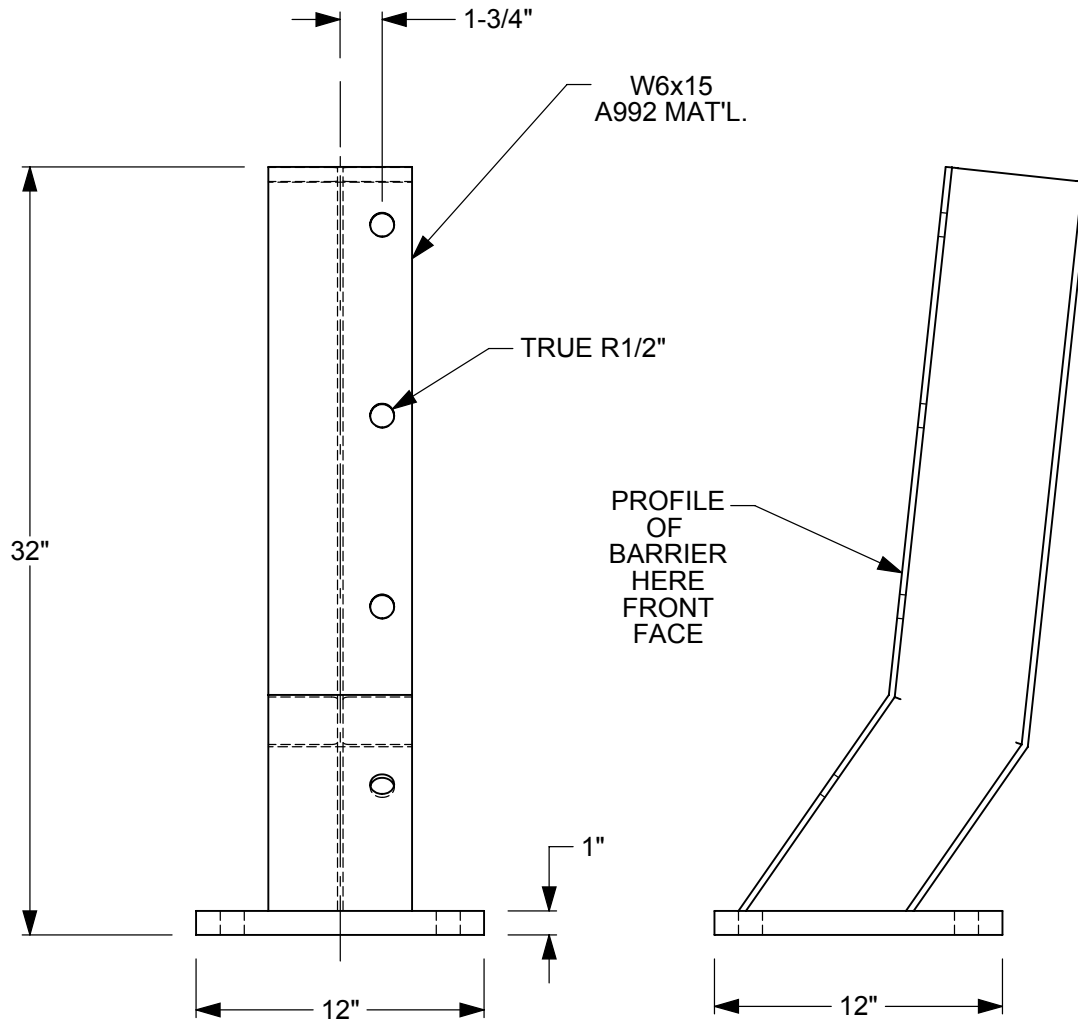
Scale:1:150

Sheet 3 of 5

Sheet 3



ISO VIEW



POST FRONT VIEW

POST SIDE VIEW



Roadside Safety and
Physical Security Division -
Proving Ground

Project LA-45

POOLED FUND PROJ.

2013-09-18

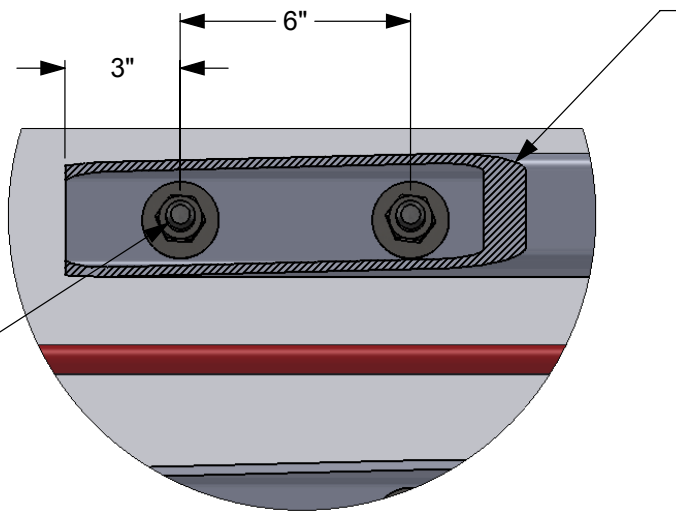
Drawn By WFW

Scale 1:10

Sheet 4 of 5

Sheet 4

HILTI 3/4" DIA. x 9 1/2" LG.
ADHESIVE ANCHOR
(TYP.)



Detail A
Scale 1 : 5



Roadside Safety and
Physical Security Division -
Proving Ground

Project LA-45	POOLED FUND PROJ.	2013-09-18
Drawn By WFW	Scale:1:150	Sheet 5 of 5 Sheet 5