

Figure 5.1. Details of the pinned F-shape barrier – installation layout.

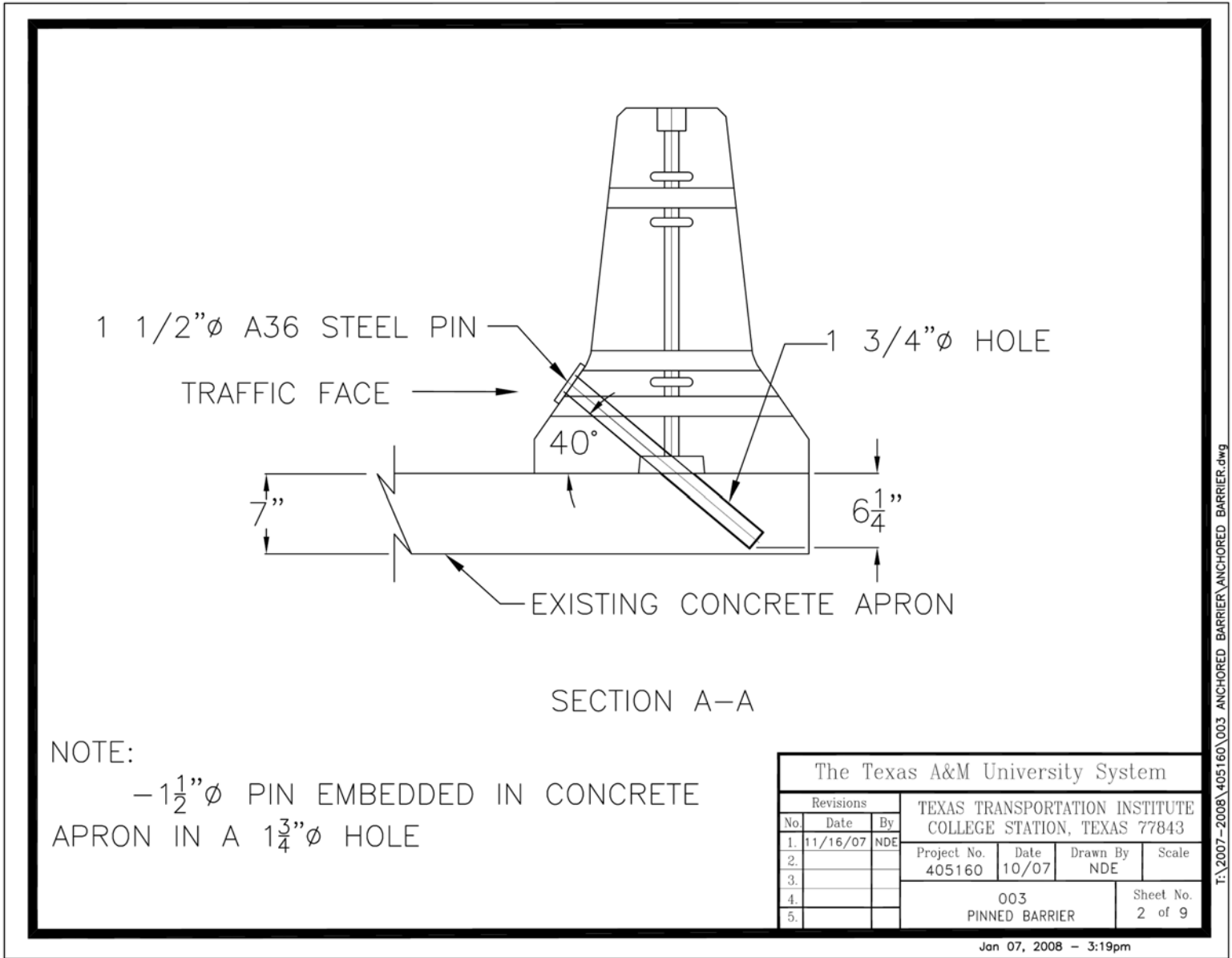


Figure 5.2. Details of the pinned F-shape barrier – Section A-A.

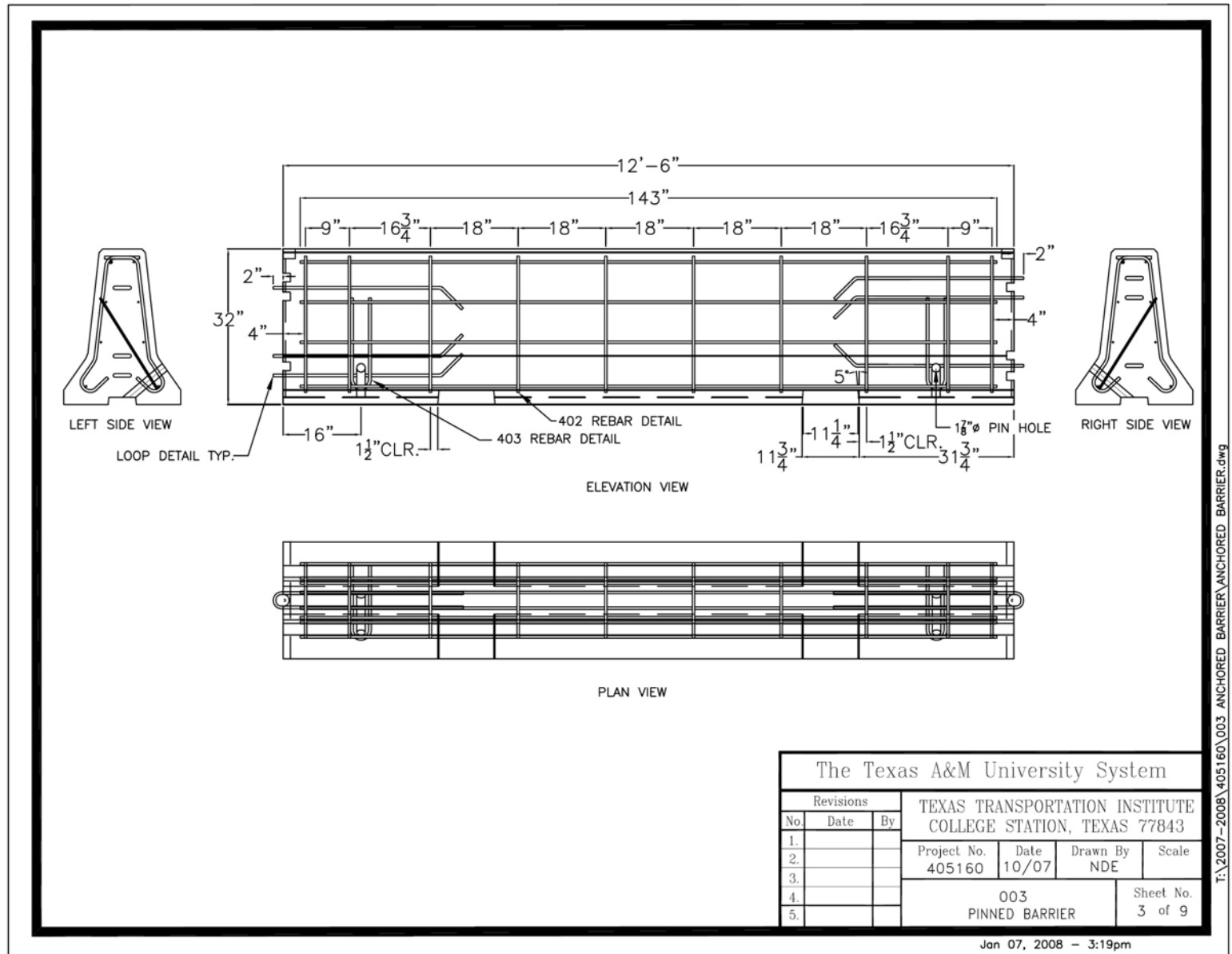


Figure 5.3. Details of the pinned F-shape barrier –segment detail.

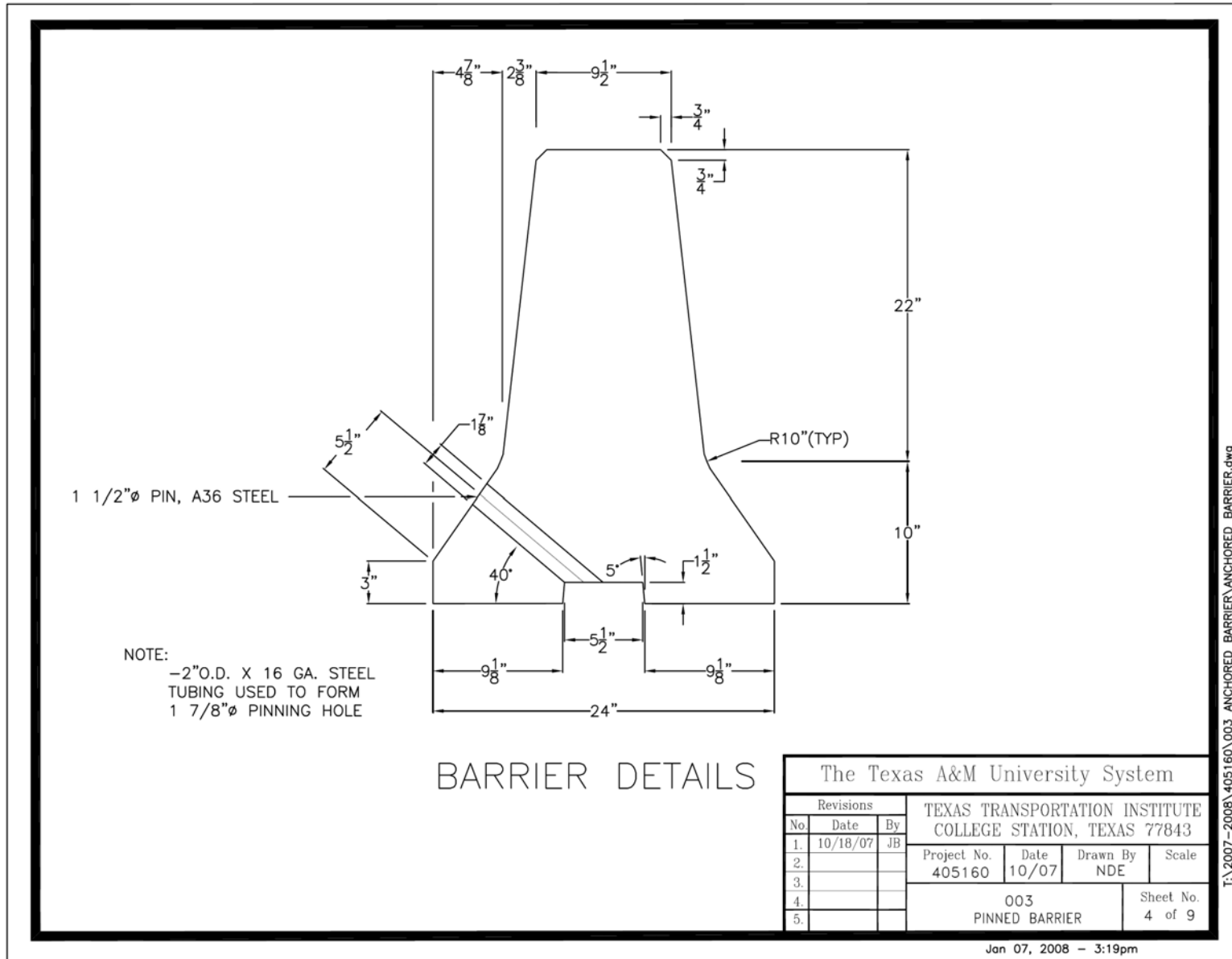
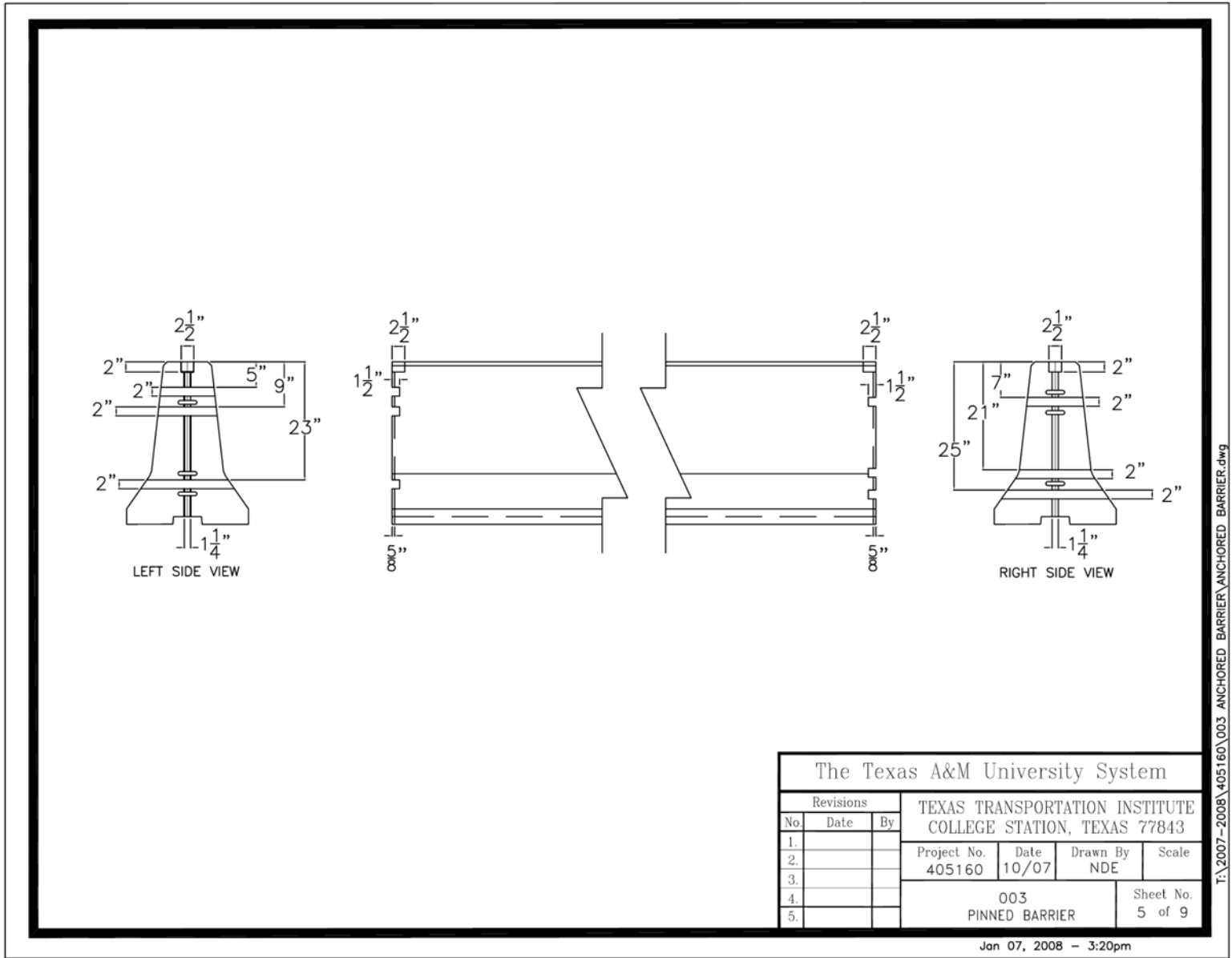


Figure 5.4. Details of the pinned F-shape barrier – cross section.

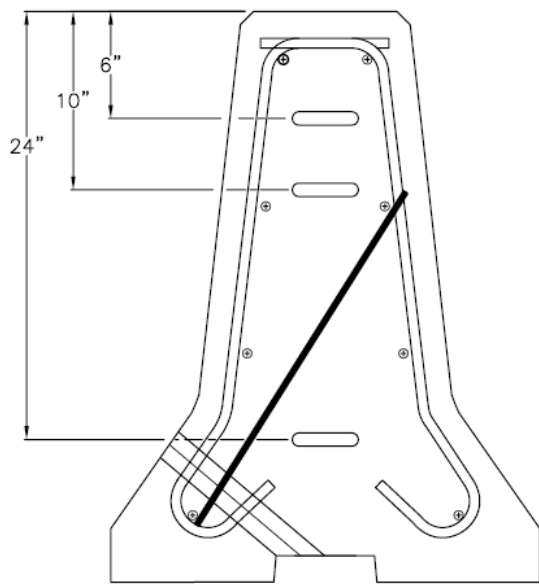


The Texas A&M University System			
TEXAS TRANSPORTATION INSTITUTE COLLEGE STATION, TEXAS 77843			
Revisions		Project No.	Date
No.	Date	405160	10/07
1.		Drawn By	Scale
2.		NDE	
3.		003	
4.		PINNED BARRIER	
5.		Sheet No. 5 of 9	

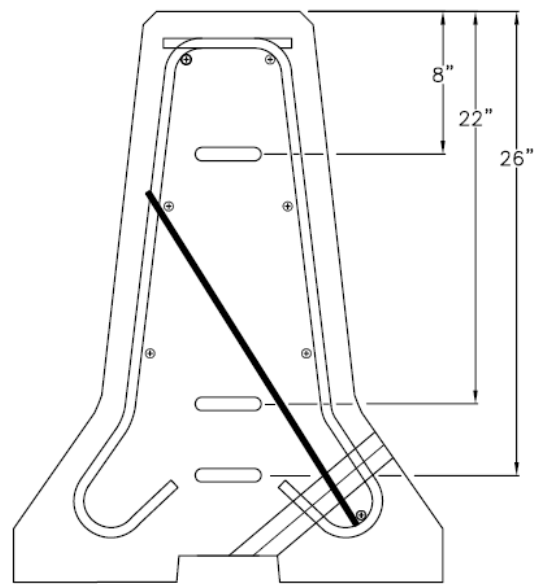
T:\2007-2008\405160\003 ANCHORED BARRIER\ANCHORED BARRIER.dwg

Jan 07, 2008 - 3:20pm

Figure 5.5. Details of the pinned F-shape barrier – barrier details.



RIGHT SIDE VIEW



LEFT SIDE VIEW

Revisions				The Texas A&M University System			
No.	Date	By	TEXAS TRANSPORTATION INSTITUTE COLLEGE STATION, TEXAS 77843				
1.	10/18/07	JB	Project No.	Date	Drawn By	Scale	
2.	10/22/07	NDE	405160	10/07	NDE		
3.			003			Sheet No. 6 of 9	
4.			PINNED BARRIER				
5.							

Jan 07, 2008 - 3:20pm

T:\2007-2008\405160\003 ANCHORED BARRIER\ANCHORED BARRIER.dwg

Figure 5.6. Details of the pinned F-shape barrier – pin placement.

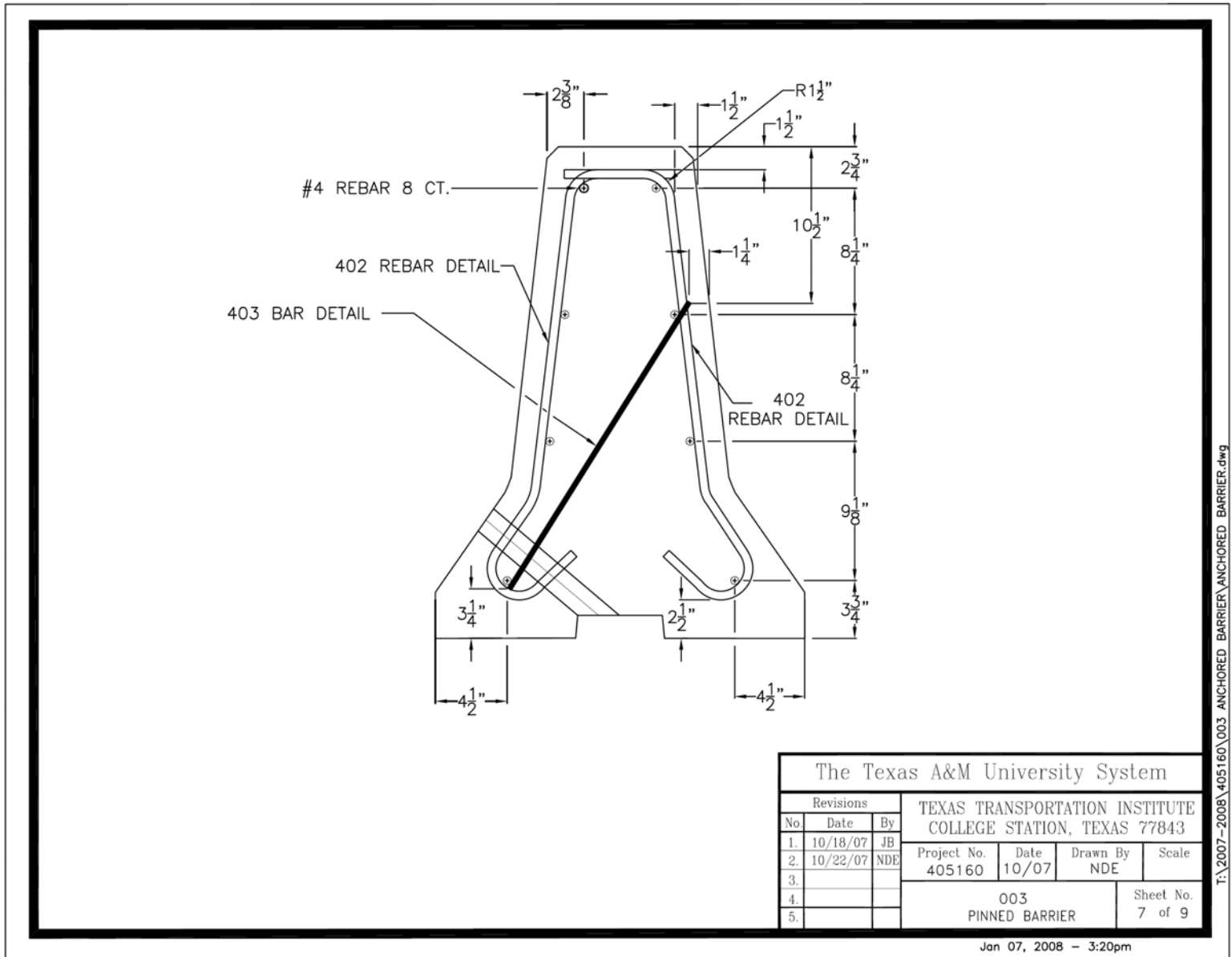
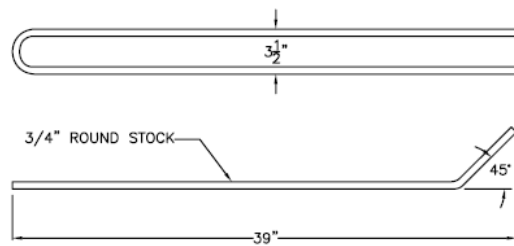
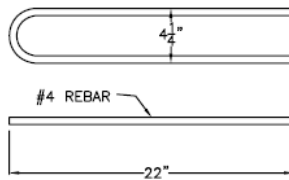


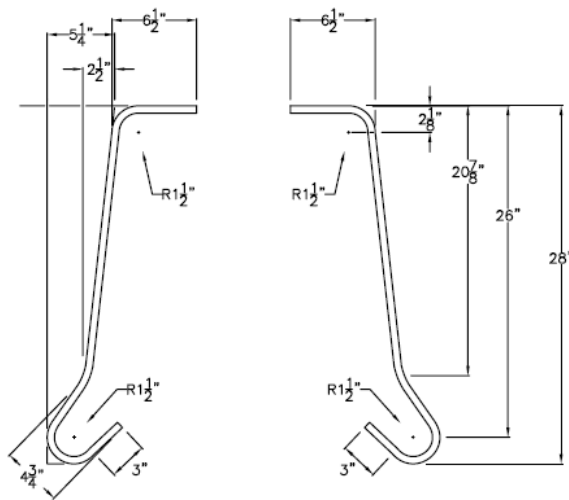
Figure 5.7. Details of the pinned F-shape barrier – rebar placement.



LOOP DETAIL
6 CT. PER BARRIER



403 REBAR DETAIL
2 CT. PER BARRIER



402 REBAR DETAIL
18 CT. PER BARRIER

The Texas A&M University System				
Revisions			TEXAS TRANSPORTATION INSTITUTE COLLEGE STATION, TEXAS 77843	
No.	Date	By	Project No.	Date
1.	10/18/07	JB	405160	10/07
2.	10/22/07	NDE	Drawn By	Scale
3.			NDE	
4.			003 PINNED BARRIER	
5.			Sheet No. 8 of 9	

Jan 07, 2008 - 3:21pm

I:\2007-2008\405160\003 ANCHORED BARRIER\ANCHORED BARRIER.dwg

Figure 5.8. Details of the pinned F-shape barrier – rebar details.

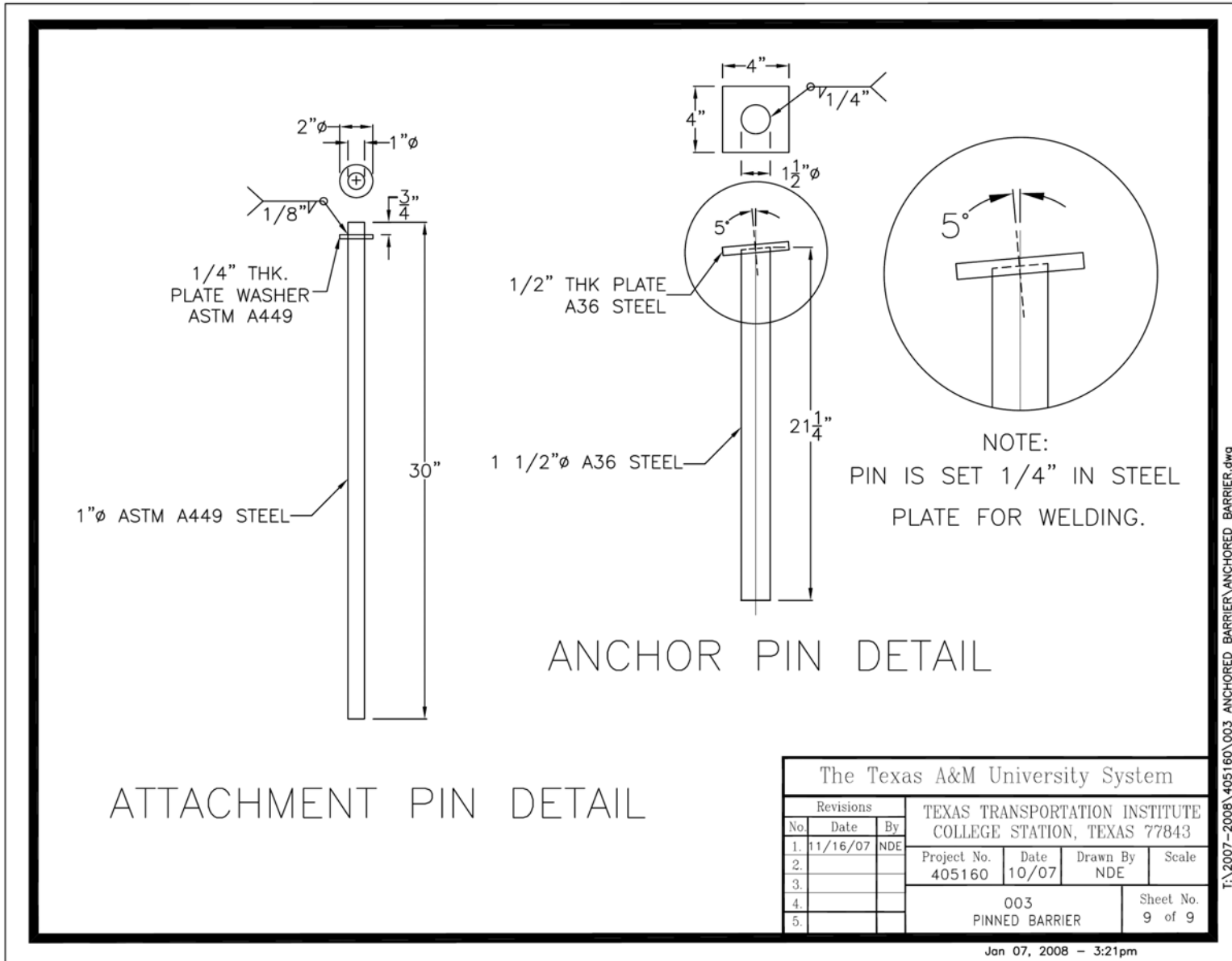


Figure 5.9. Details of the pinned F-shape barrier – pin details.